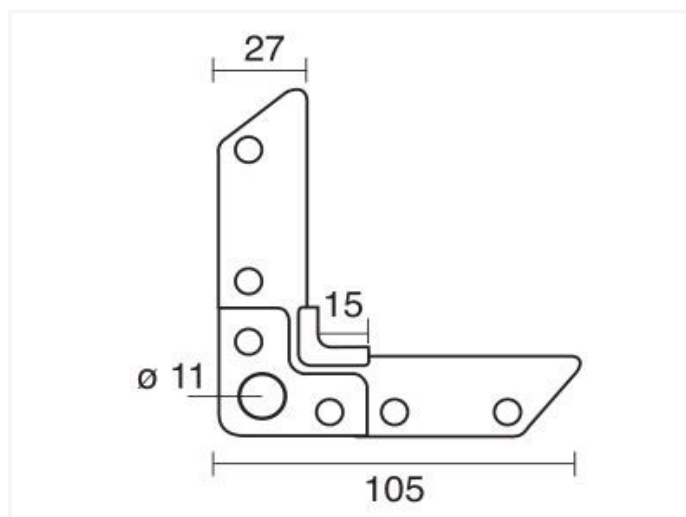


H30 Alu ~ Corner for E30 ALU (alu)



Technical specifications

CODE	THICKNESS	PIECES
H30 ALU	3,00mm	250